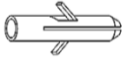


### 1 Manual/Handleiding/Handbuch/Manuel/Manual

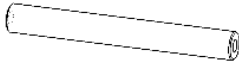
A. 6x Screw



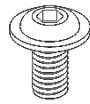
B. 6x Plug



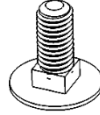
C. 1x Axle



D. 5x Bolt small



E. 2x Carriage Bolt



F. 2x Washer Plastic



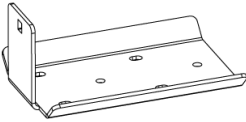
G. 2x Washer steel



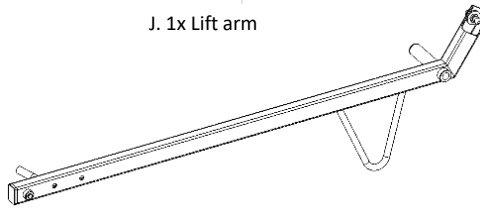
H. 2x Nut steel



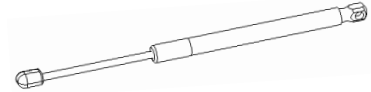
I. 1x Wall mount



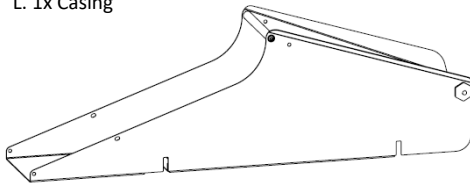
J. 1x Lift arm



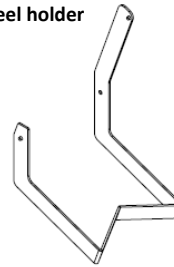
K. 1x Gas spring



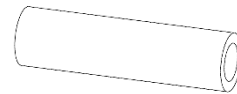
L. 1x Casing



M. 1x Rear wheel holder

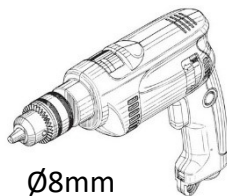


N. 1x spacer



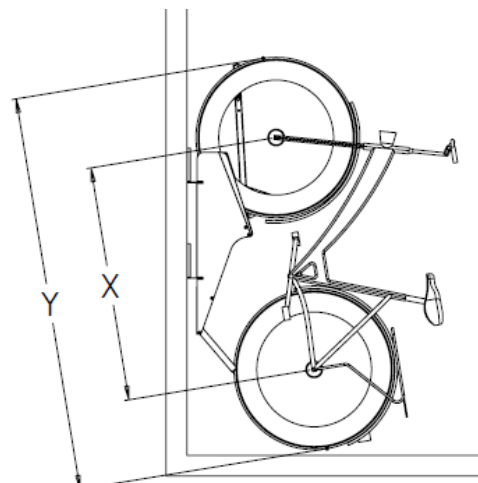
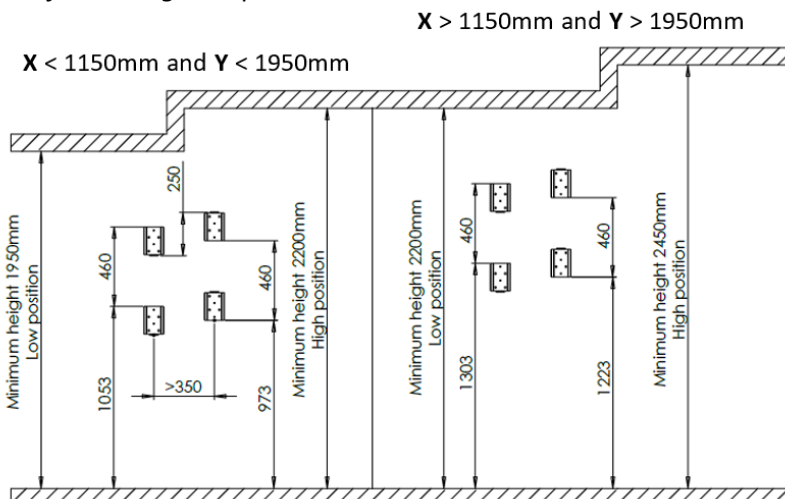
### 2 Mounting – Wall Plates

- 6x A.
- 6x B.
- 2x L.



Ø8mm

Hartafstand nog te bepalen



# VelowUp!®

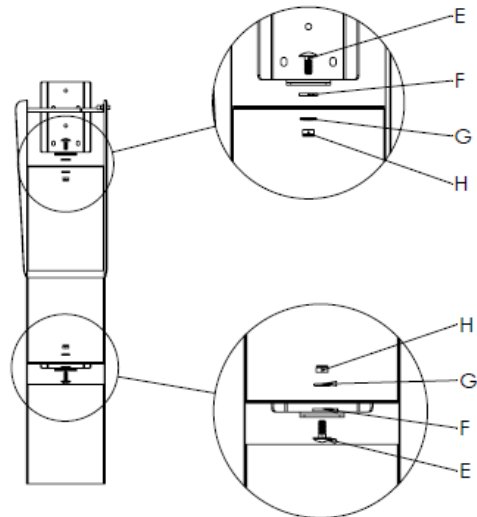
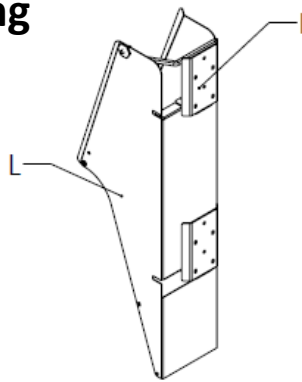
## Smart Bicycle Parking

**Fatbike**

### 3 Mounting - Casing



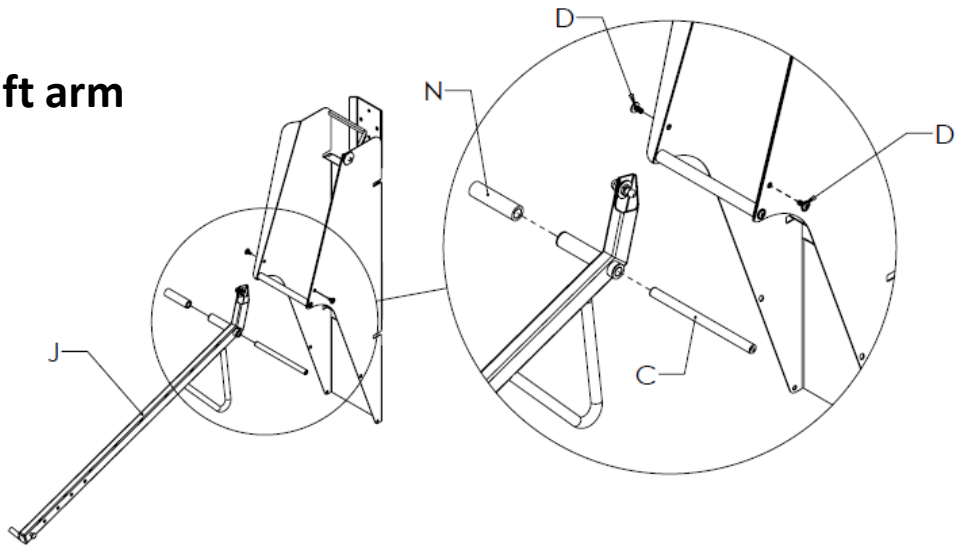
- 2x E.
- 2x F.
- 2x G.
- 2x H.
- 2x I.



### 4 Mounting – Lift arm

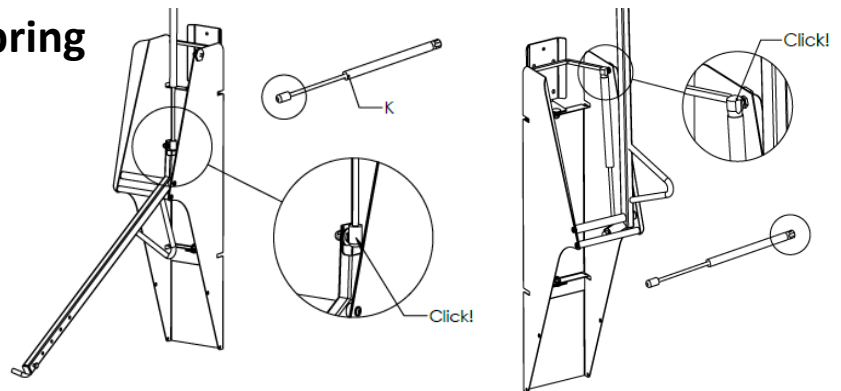


- 1x C.
- 2x D.
- 1x J.
- 1x N.



### 5 Mounting – Gas spring

- 1x K.



### 6 Mounting – Rear wheel holder

- 1x M.
- 3x D.

